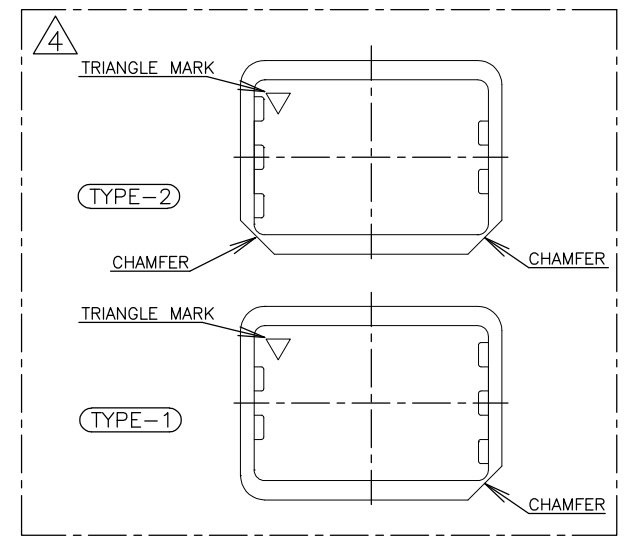
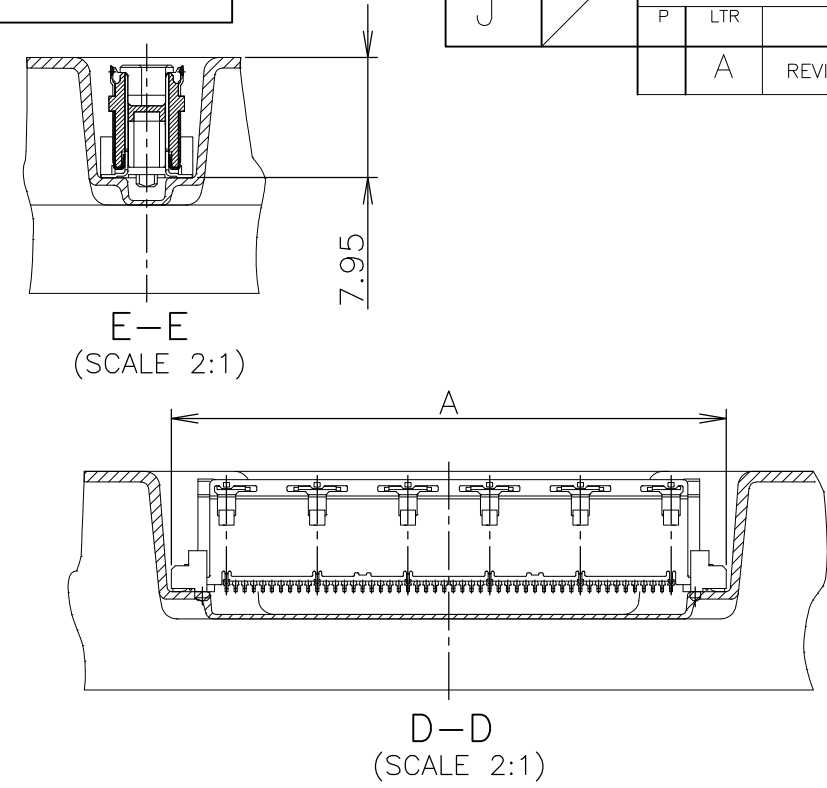
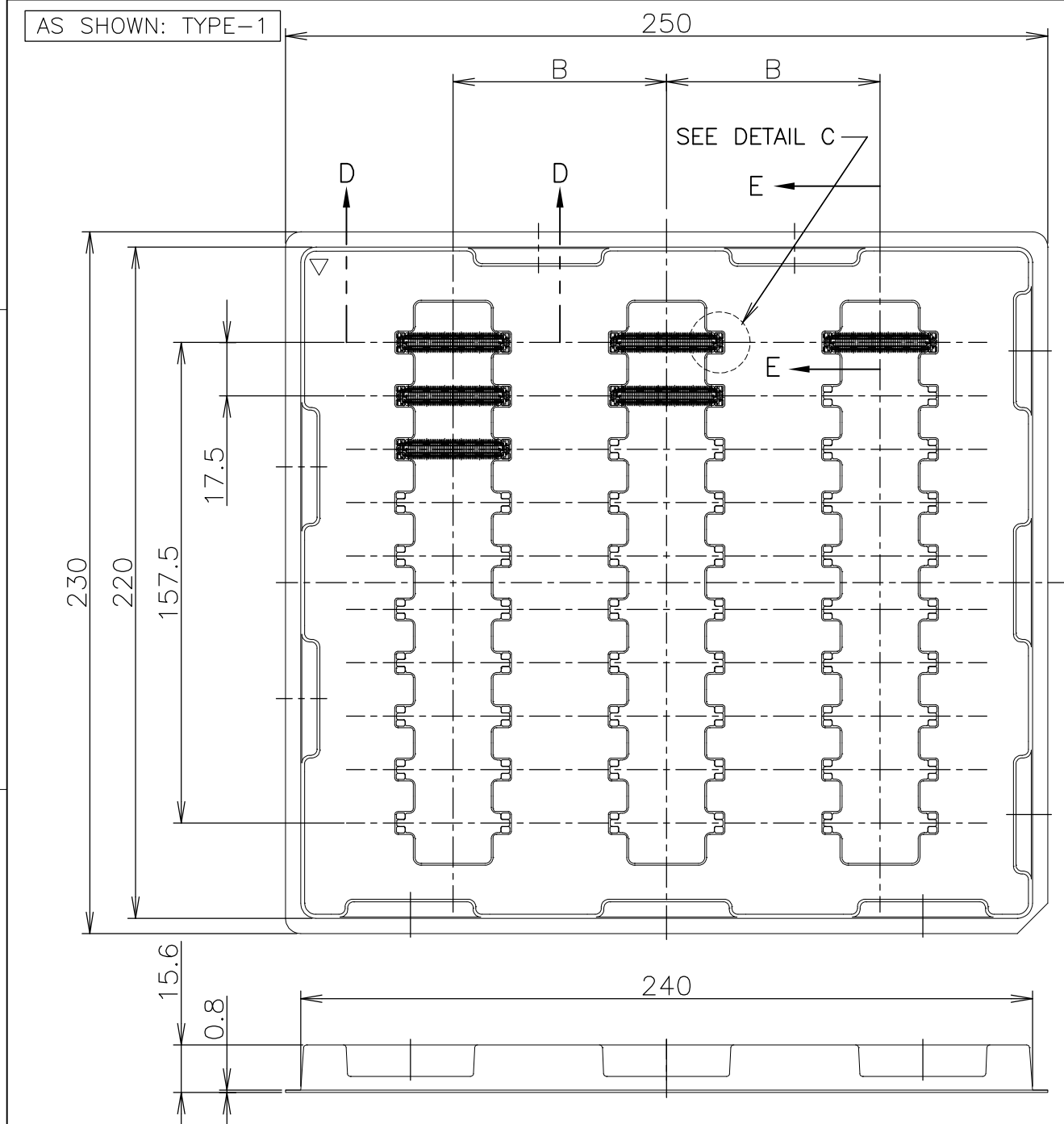


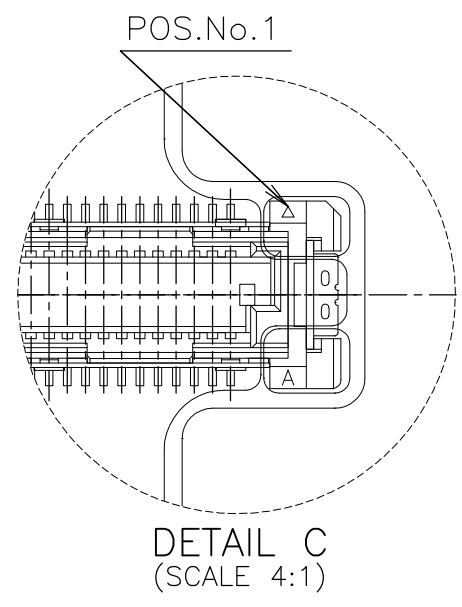
THIS DRAWING IS UNPUBLISHED. RELEASED FOR PUBLICATION OCT, 1995.
 © COPYRIGHT 1995 BY TYCO ELECTRONICS CORPORATION. ALL RIGHTS RESERVED.

LOC	DIST	REVISIONS					
J		P	LTR	DESCRIPTION	DATE	DWN	APVD
		A	REVISED	ECR-08-000339	01FEB08	T.T	T.F



SEALANT	TOOLING STATUS	ROW	QTY	B	A	POS.	TRAY P/N	PART NO.
AVAILABLE	↑	3	30	70	54.7	160	3-912068-1	6-5316562-1
AVAILABLE	↑	↑	↑	↑	48.7	140	7-912063-3	6-↑-0
NOT AVAILABLE	↓	↓	↓	↓	42.7	120	7-912063-2	5-↑-9
↑	↓	↓	↓	↓	36.7	100	3-912068-0	5-↑-8
↓	↑	3	30	70	33.7	90	2-↑-9	5-↑-7
↑	↑	5	50	43	30.7	80	2-↑-8	5-↑-6
↑	↑	↑	↑	↑	27.7	70	2-↑-7	5-↑-5
↑	↑	↑	↑	↑	24.7	60	2-↑-6	5-↑-4
↑	↑	↑	↑	↑	21.7	50	2-↑-5	5-↑-3
↑	↑	↑	↑	↑	18.7	40	2-↑-4	5-↑-2
NOT AVAILABLE	↓	5	50	43	15.7	30	2-912068-3	5-5316562-1
↑	↓	3	30	70	54.7	160	3-912068-1	1-5316562-1
↑	↓	↑	↑	↑	48.7	140	7-912063-3	1-↑-0
NOT AVAILABLE	↓	↓	↓	↓	42.7	120	7-912063-2	↑-9
↑	↓	↓	↓	↓	36.7	100	3-912068-0	↑-8
↓	↑	3	30	70	33.7	90	2-↑-9	↑-7
↑	↑	5	50	43	30.7	80	2-↑-8	↑-6
↑	↑	↑	↑	↑	27.7	70	2-↑-7	↑-5
↑	↑	↑	↑	↑	24.7	60	2-↑-6	↑-4
↑	↑	↑	↑	↑	21.7	50	2-↑-5	↑-3
↑	↑	↑	↑	↑	18.7	40	2-↑-4	↑-2
NOT AVAILABLE	↓	5	50	43	15.7	30	2-912068-3	5316562-1

△ TRAY TYPE-1 AND TYPE-2 MUST BE
 PILED UP BY TURNS.
 (REFER TO PACKING SPECIFICATIONS)



GENERAL TOLERANCE
 一般公差

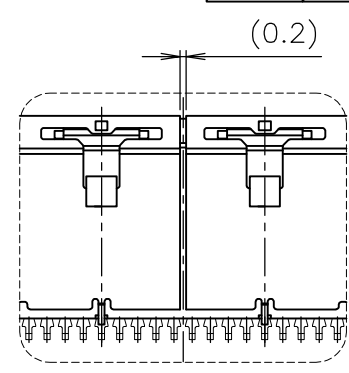
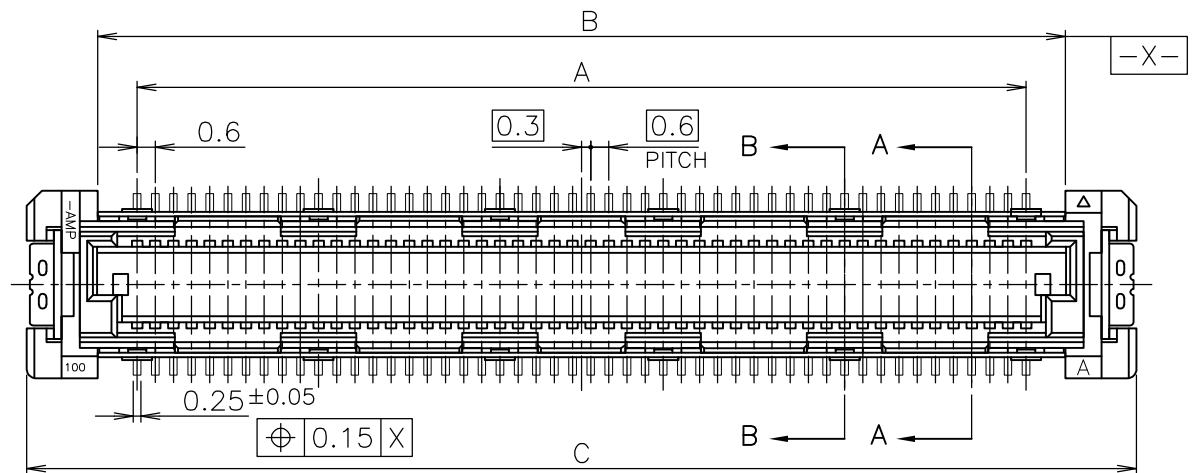
10 ≥	±0.2
30 ≥	>10: ±0.25
100 ≥	>30: ±0.3
ANGLES: ±3°	

THIS DRAWING IS A CONTROLLED DOCUMENT.

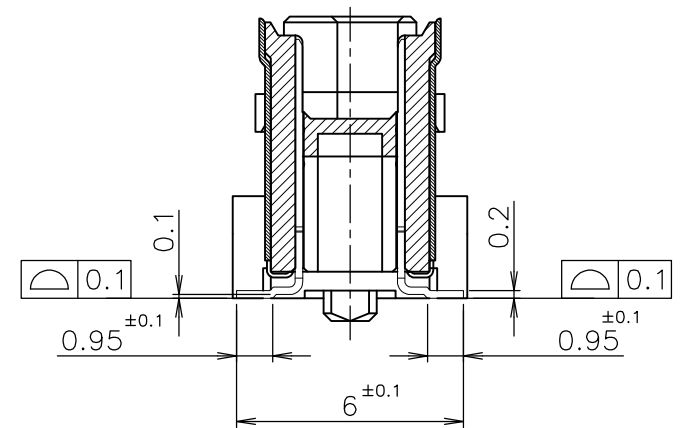
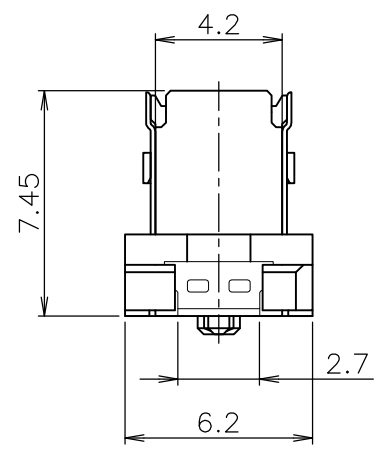
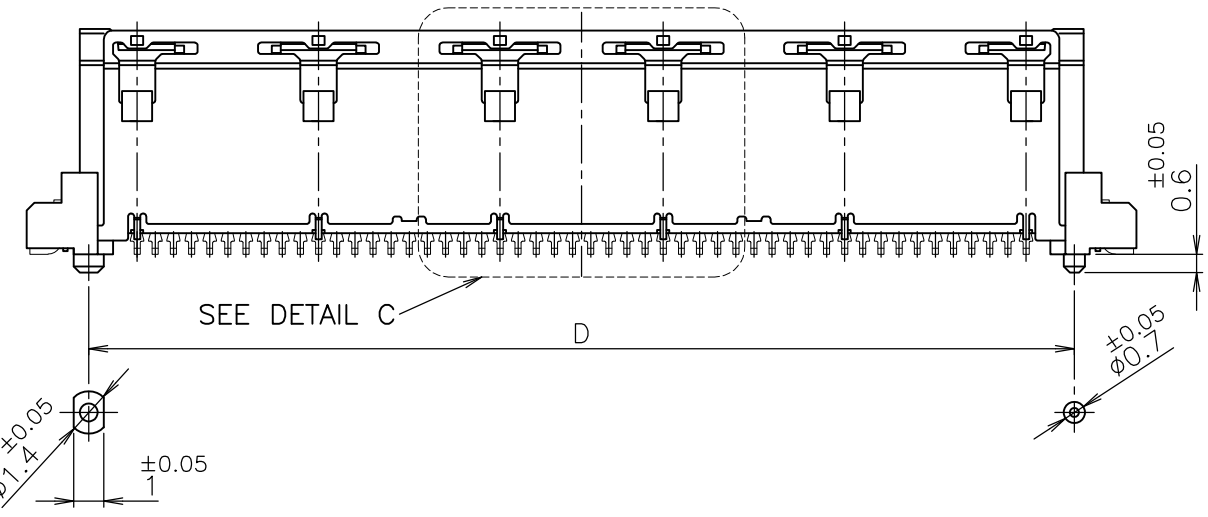
DIMENSIONS: 単位: 耗 mm	TOLERANCES UNLESS OTHERWISE SPECIFIED: 一般公差	DWN HAWKING HE 20DEC04	Tyco Electronics Tyco Electronics Corporation Kawasaki, Japan
	0 PLC ±- 1 PLC ±- 2 PLC ±- 3 PLC ±- 4 PLC ±- ANGLES ±-	CHK STEVEN YAO 20DEC04	
MATERIAL 材料	FINISH 仕上	APVD I.ENOMOTO 20DEC04	NAME 名称 SOFT TRAY ASSY FH 0.6BTB CONNECTOR PLUG 8H W/G-PLATE
		PRODUCT SPEC 製品規格 108-60047	SIZE A3
		APPLICATION SPEC 取付適用規格 114-5255	CAGE CODE 00779
		WEIGHT	DRAWING NO 番号 G-5316562
		CUSTOMER DRAWING	RESTRICTED TO
		SCALE 尺度 1:2	SHEET 1 OF 3
			REV A

THIS DRAWING IS UNPUBLISHED. RELEASED FOR PUBLICATION OCT, 1995.
 © COPYRIGHT 1995 BY TYCO ELECTRONICS CORPORATION. ALL RIGHTS RESERVED.

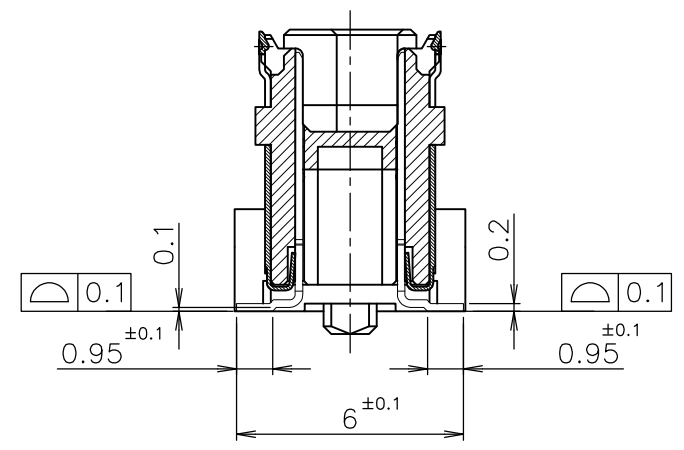
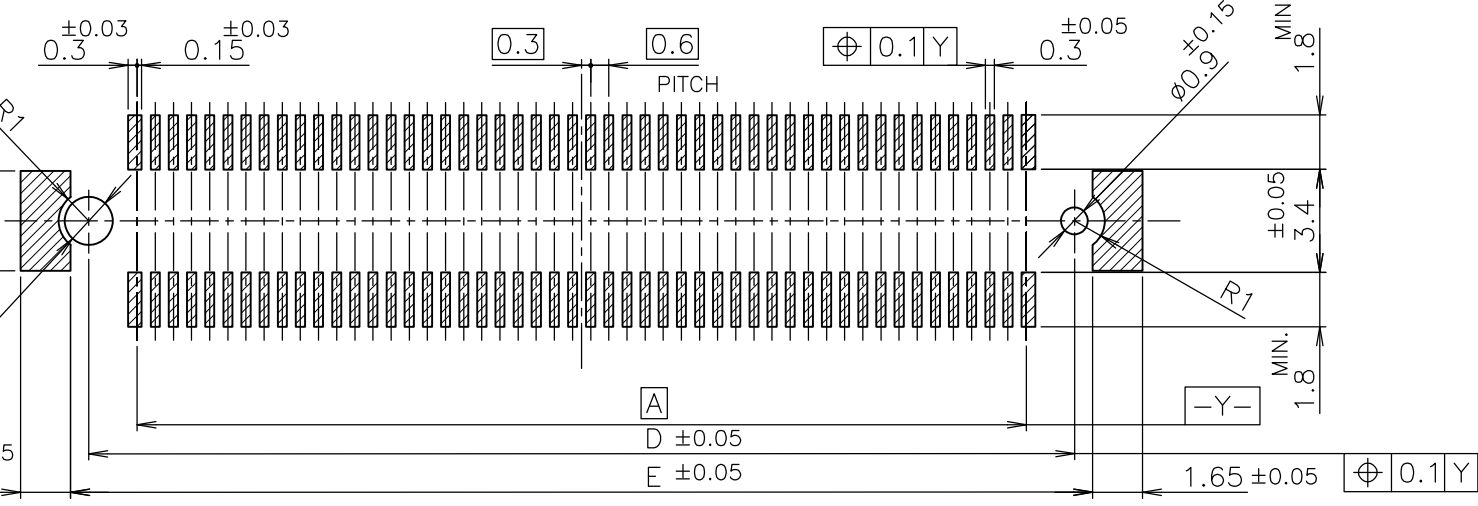
LOC		DIST		REVISIONS			DATE	DWN	APVD
J				変更					
P	LTR	DESCRIPTION							
	-	SEE SHEET 1							



DETAIL C
180P~240P ONLY



A-A
(SIGNAL POSITION)
(SCALE 5:1)



B-B
(GROUND POSITION)
(SCALE 5:1)

AVAILABLE	51.8	50.6	54.7	50	47.4	160
AVAILABLE	45.8	44.6	48.7	44	41.4	140
NOT AVAILABLE	39.8	38.6	42.7	38	35.4	120
	33.8	32.6	36.7	32	29.4	100
	30.8	29.6	33.7	29	26.4	90
	27.8	26.6	30.7	26	23.4	80
	24.8	23.6	27.7	23	20.4	70
	21.8	20.6	24.7	20	17.4	60
	19.8	17.6	21.7	17	14.4	50
	15.8	14.6	18.7	14	11.4	40
NOT AVAILABLE	12.8	11.6	15.7	11	8.4	30
TOOLING STATUS	E	D	C	B	A	POS

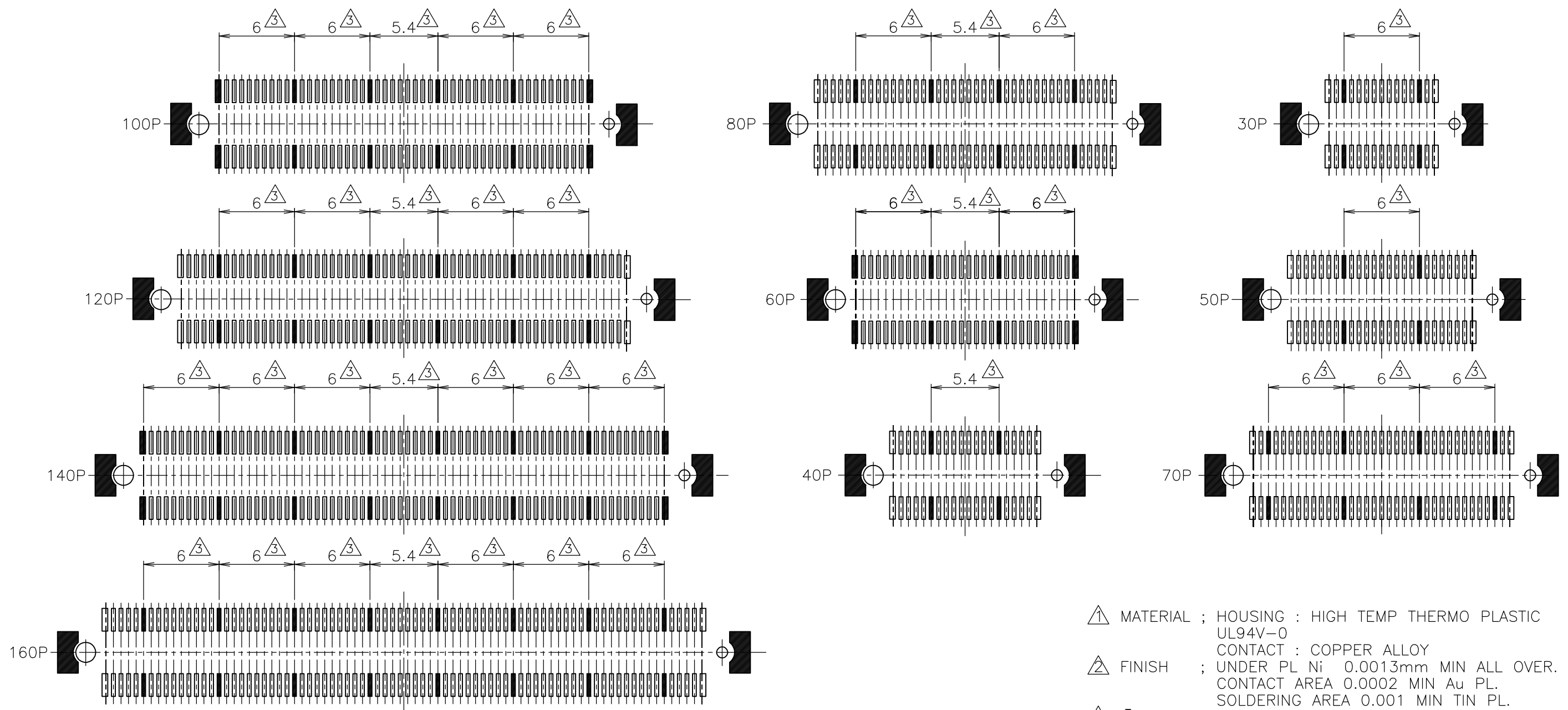
REFERENCE P.C.BOARD LAYOUT

GENERAL TOLERANCE
一般公差
 10 ≥ ±0.2
 30 ≥ >10: ±0.25
 100 ≥ >30: ±0.3
 ANGLES: ±3°

THIS DRAWING IS A CONTROLLED DOCUMENT.		DWN		Tyco Electronics Corporation Kawasaki, Japan	
DIMENSIONS: 単位: 耗 mm		TOLERANCES UNLESS OTHERWISE SPECIFIED: 一般公差		NAME 名称	
0 PLC ± -		1 PLC ± -		PRODUCT SPEC 製品規格	
2 PLC ± -		3 PLC ± -		APPLICATION SPEC 取付適用規格	
4 PLC ± -		ANGLES ± -		SIZE	
FINISH 仕上		MATERIAL 材料		CAGE CODE	
1		2		A300779	
CUSTOMER DRAWING		DWN		DRAWING NO 番号	
SCALE 尺度 4:1		SHEET 2 OF 3		G-5316562	
RESTRICTED TO		REV A			

THIS DRAWING IS UNPUBLISHED. RELEASED FOR PUBLICATION OCT, 1995.
 © COPYRIGHT 1995 BY TYCO ELECTRONICS CORPORATION. ALL RIGHTS RESERVED.

LOC	DIST	REVISIONS		
J		変更		
P	LTR	DESCRIPTION	DATE	DWN
		SEE SHEET 1		
				APVD



- △ MATERIAL ; HOUSING : HIGH TEMP THERMO PLASTIC UL94V-0
CONTACT : COPPER ALLOY
- △ FINISH ; UNDER PL Ni 0.0013mm MIN ALL OVER.
CONTACT AREA 0.0002 MIN Au PL.
SOLDERING AREA 0.001 MIN TIN PL.
- △ THIS POSITION IS GROUND CIRCUIT.

GENERAL TOLERANCE
 一般公差
 10 ≥ : ±0.2
 30 ≥ : >10: ±0.25
 100 ≥ : >30: ±0.3
 ANGLES: ±3°

THIS DRAWING IS A CONTROLLED DOCUMENT.		DWN	Tyco Electronics Corporation Kawasaki, Japan	
DIMENSIONS: 単位: 耗 mm		CHK	NAME 名称	
TOLERANCES UNLESS OTHERWISE SPECIFIED: 一般公差		APVD	SOFT TRAY ASSY FH 0.6BTB CONNECTOR PLUG 8H W/G-PLATE	
0 PLC ± - 1 PLC ± - 2 PLC ± - 3 PLC ± - 4 PLC ± - ANGLES ± -		PRODUCT SPEC 製品規格	SIZE	RESTRICTED TO
MATERIAL 材料		APPLICATION SPEC 取付適用規格	A3	
FINISH 仕上		WEIGHT	CAGE CODE	DRAWING NO
1		A300779		G-5316562
2		CUSTOMER DRAWING		SCALE 尺度 3:1
		SHEET 3 OF 3		REV A